

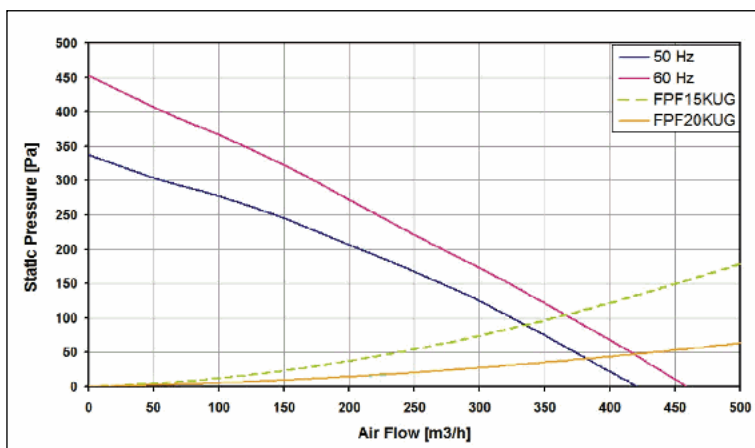
**SPECIFICHE TECNICHE
TECHNICAL SPECIFICATION**

Tipo di materiale: PC/ABS e coperchio in alluminio
 Colore: RAL 7035 - altri colori su richiesta
 Grado di protezione: IP24 secondo la norma EN60529
 Temperatura di stoccaggio: da -20°C a +60°C
 Aspettativa di vita L10 a 25°C 80%UR: 50000 h
 Protezione del motore: termica
 Connessione elettrica: morsettiera 3 poli L-N-PE
 Connessione di terra: morsetto PE
 Peso: 2 kg
 Certificati: CE

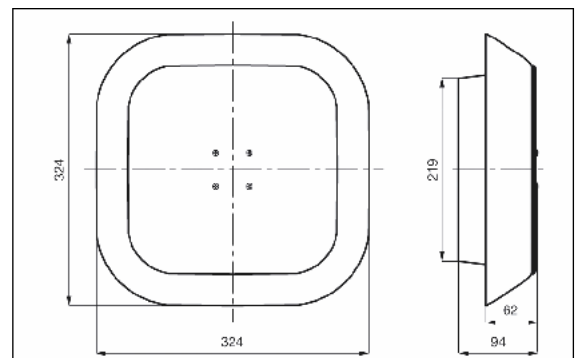
Type of material: ABS/PC alloy and aluminium
 Standard colour: RAL 7035 - other colours on request
 Protection degree: IP54, according to EN 62529 standard
 Fixing method: Buy No 8 Ø4x16 mm screws for thermoplastic material
 Plate thickness: any
 Storage temperature: from -20°C to +60°C
 Lifetime L10 at 25°C 80%RH: 115V 75,000h 50Hz; 80,000 60Hz 230V; 59,000h 50Hz; 73,000h 60Hz
 Motor protection: thermal
 Electrical connection: by terminal block 3 poles L-N-PE
 Earth connection: (by terminal block, PE pole)
 Appliance class: class I
 Weight: 2 Kg
 Approvals: CE



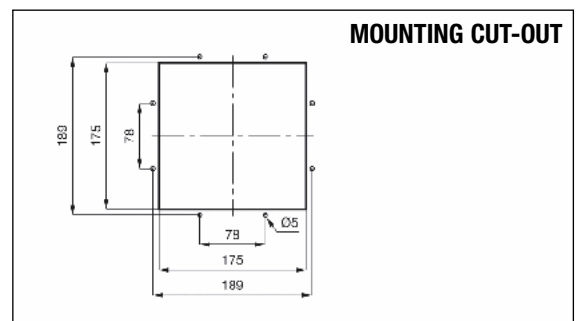
ART. T1PLAST - PERFORMANCE CURVE



TECHNICAL DRAWING



MOUNTING CUT-OUT



Articolo Code	Voltage	Frequency	Rated Current	Rated Power	Max Air Flow	Statistic Pressure	Noise	Rated Temp. Range	Approvals
	V	HZ	A	W	m ³ /h	PA	dB (A)	°C	
T1PLAST	230 a.c.	50/60	0.309/0.360	70/83	420/460	340/455	59.0/61.1	-10 +60	CE