

COMPONENTI TELAI UNIVERSAL RACKS 19"

FRAME PARTS UNIVERSAL RACKS 19"

MODUL RACKS

RACKS CHASSIS
SERIES 2000

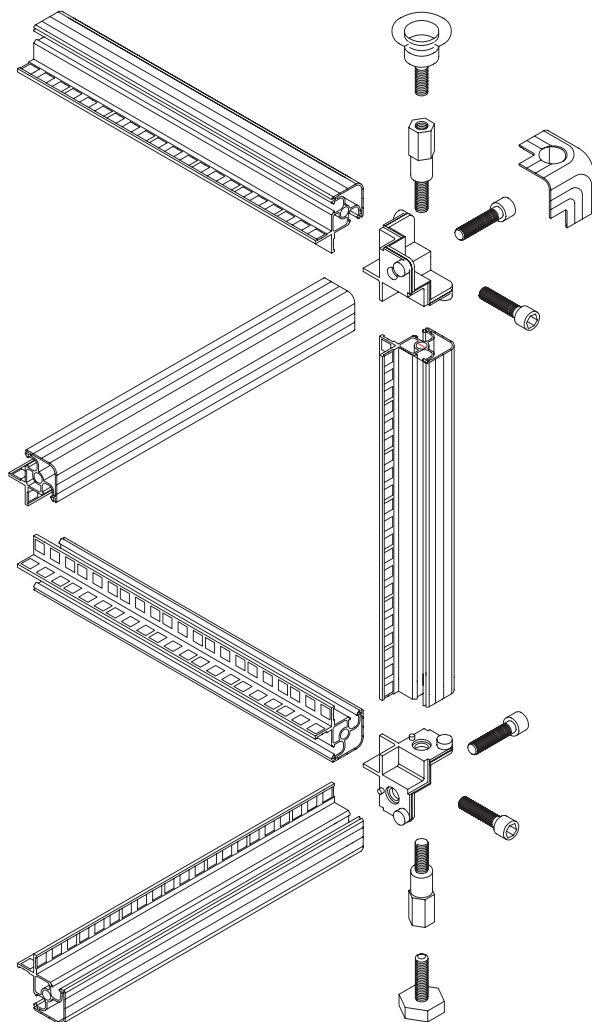
SUBRACKS
SILVER

SUBRACKS
GOLD

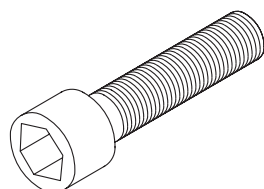
SUBRACKS
PLATINUM

FRONT PANELS

SUBUNITS

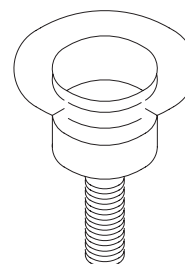


Vite ad esagono M10 x 30
Hexagon screw M10 x 30



CODICE CODE	MATERIALE MATERIAL
B-10-30	Ferro zincato Zinc plated steel

Golfaro
Lifting eye



CODICE CODE	MATERIALE MATERIAL
GF M 10	Ferro zincato Zinc plated steel